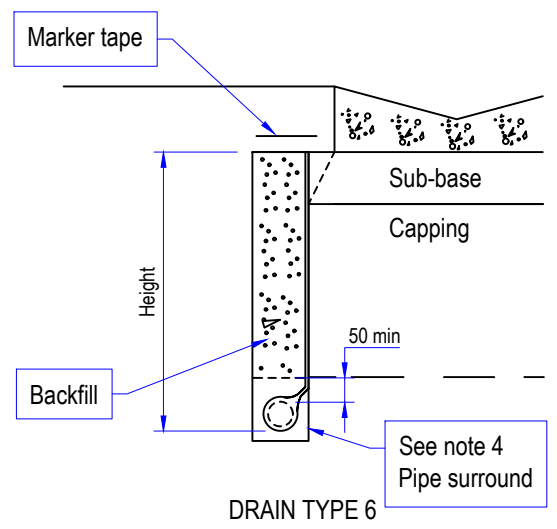
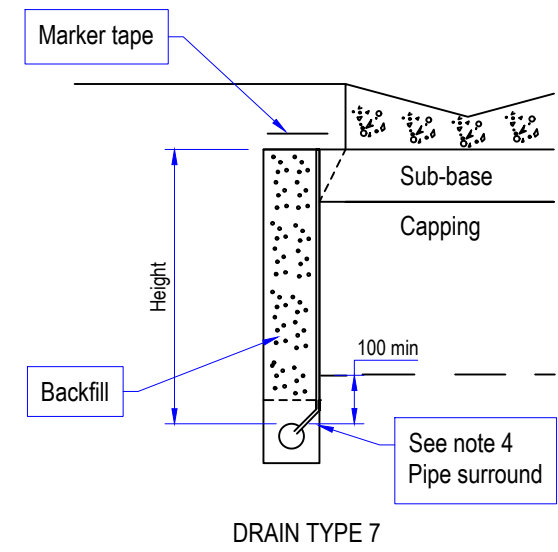


DRAIN TYPE 5

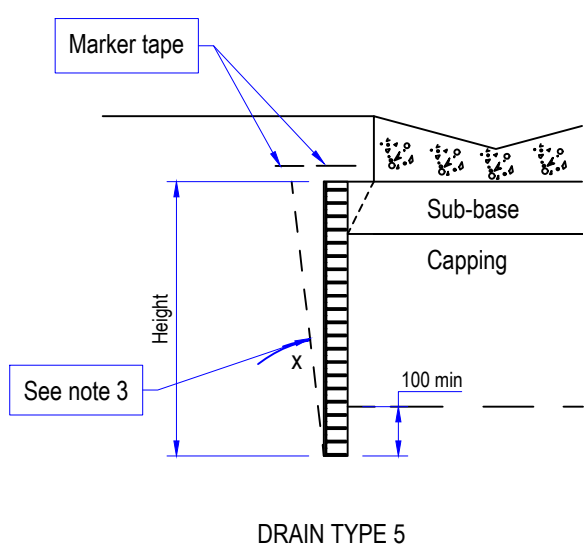


DRAIN TYPE 6

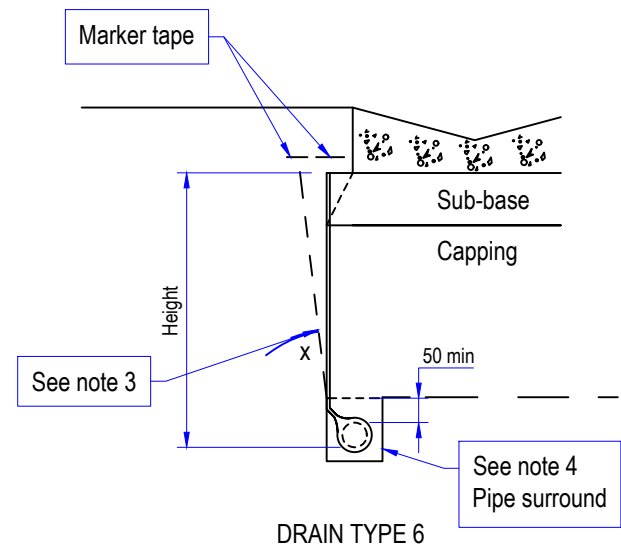


DRAIN TYPE 7

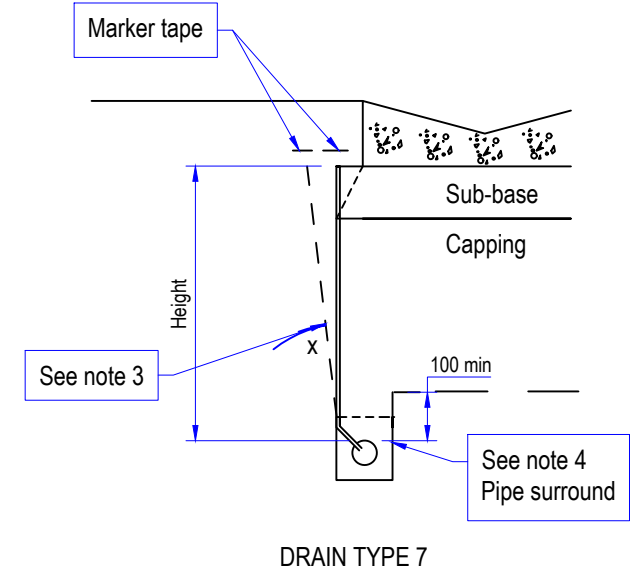
### DRAINS LAID IN NARROW TRENCHES



DRAIN TYPE 5



DRAIN TYPE 6



DRAIN TYPE 7

### DRAINS LAID IN THE SIDE OF EXCAVATION PRIOR TO THE PLACEMENT OF PAVEMENT / CAPPING LAYERS

**NOTES**

1. ALL DIMENSIONS ARE IN MILLIMETERS.
2. Fin drains shall be a minimum of 75 from the edge of the surface water channel where appropriate.
3. Marker tapes, surround/backfill materials and maximum drain slope angle (x) shall be as described in the SHW Clause 514.
4. Pipe surround material shall be as shown on Drawing LBS/500/17.
5. The drain shall be constructed with one geotextile face in contact with the side of the excavation. The side having the greater permeability shall be facing towards and be in contact with the pavement construction where appropriate.
6. Slots in drain Type 7 shall be not more than 60° from the crown of the pipe.

REV	DATE	REVISION DESCRIPTION / DETAILS	DRN BY	CHKD BY	APRVD BY



PROJECT: SOUTHWARK STREETSCAPE DESIGN MANUAL STANDARD DETAILS			
TITLE: EDGE OF PAVEMENT DRAINS - INSTALLATION OF FIN DRAINS			
STATUS:	DRAFT	DRAWN	SR
SCALE:	N.T.S.	CHECKED	GL
DRAWING NO:	LBS/500/18	APPROVED	R0
DATE DRAWN:	AUGUST 2017	DATE ISSUED:	19 Feb 2019

S:\HIGHWAYS\MAINTENANCE\SSM\2\_SSEM\_CONTENT\_ARCH\REVISED\SSM\TECH\DRAINS\STD DETAILS\SERIES 500\DRAINAGE & SERVICE DUCTS\G:\LBS\500-EDGE OF PAVEMENT DRAINS - INSTALLATION OF FIN DRAINS.DWG