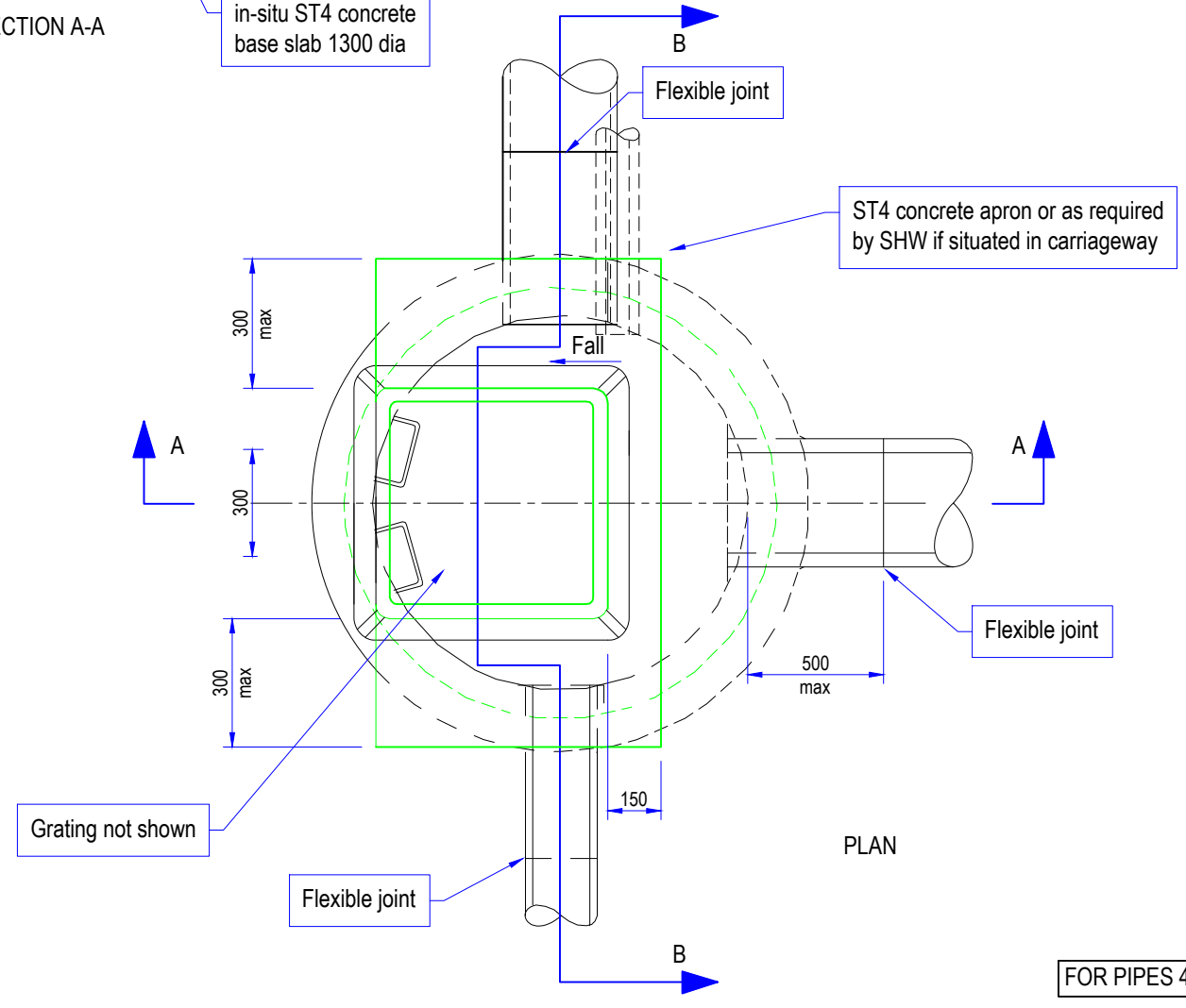
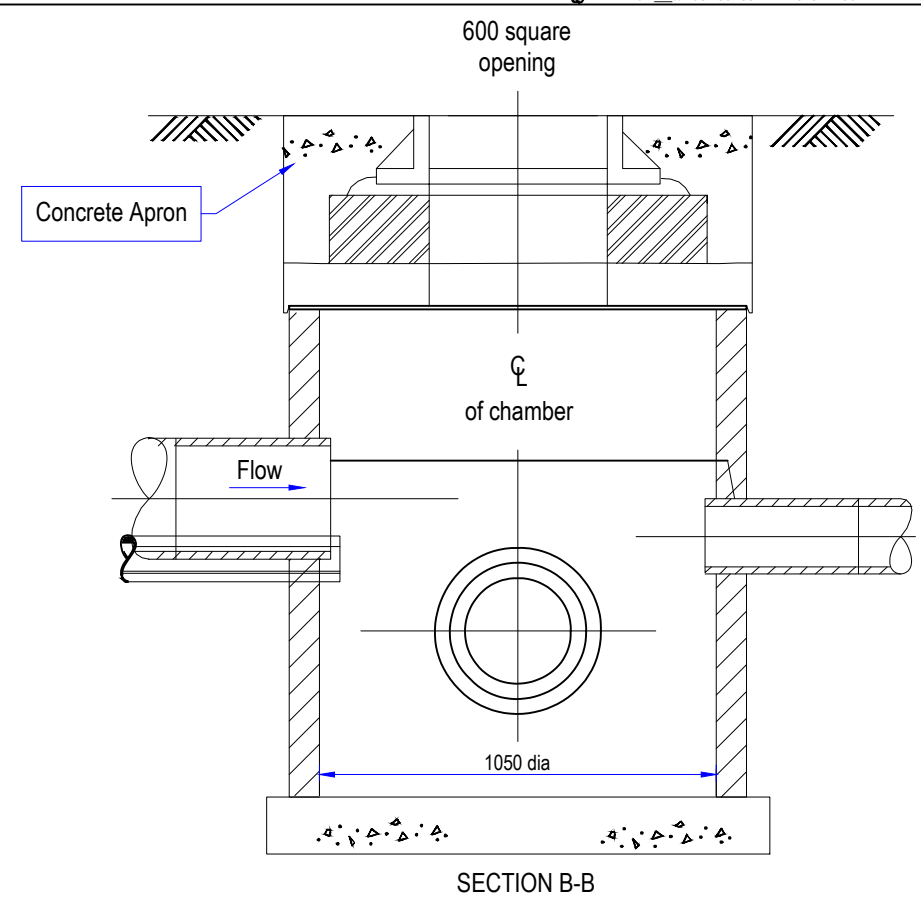


Single or double manhole steps (single shown) at 250 or 300 c/c vertically, to SHW sub-clause 507.6. Where double steps are installed, these shall be installed in a single alignment with other such steps.



FOR PIPES 450 MAX. DIAMETER

NOTES

- All dimensions are in millimetres.
- Catch-pit to be constructed in precast concrete to BS EN 1917 and BS 5911-3.
- Mortar to be designation (i) to SHW Series 2400.
- Pipes to be built into catch-pit to drain lower portion of trench. Pipe is to be placed above any concrete bed to filter drain.
- The gully top is to be set as dimensioned below the adjacent:
  - Hard shoulder (for verges)
  - Hard strip (for dual 2 central reserve)
  - Finished level in other locations
- See SHW, sub-clause 507.7 regarding backfilling/surround to chamber.
- All ST concrete shall be to SHW, Clause 2602

REV	DATE	REVISION DESCRIPTION / DETAILS	DRN BY	CHKD BY	APRVD BY



PROJECT:  
SOUTHWARK STREETSCAPE DESIGN MANUAL STANDARD DETAILS

TITLE:  
TYPE 7 CHAMBER (1050 CATCH PIT)

STATUS:	DRAFT	DRAWN	SR
SCALE:	N.T.S.	DESIGNED	-
DRAWING NO:	LBS/500/10	CHECKED	GL
DATE DRAWN:	JULY 2017	APPROVED	-
DATE ISSUED:	19 Feb 2019	REV	R0

S:\HIGHWAYS MAINTENANCE\SSM\CONTENT\_ARCH\REVISED\SSM\DETAILS\DRN\STANDARD\DRN\SSM\001\DRN\SSM\001\TYPE 7 CHAMBER (1050 CATCH PIT).DWG