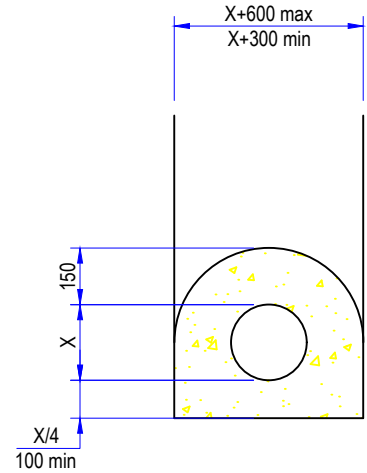


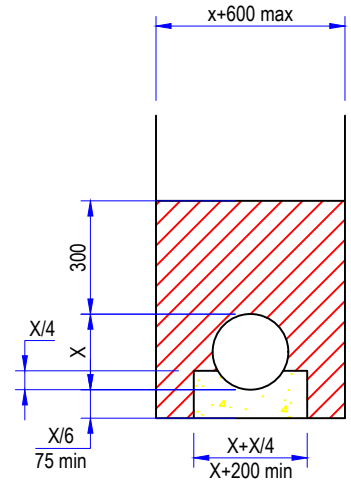
S:\HIGHWAYS MAINTENANCE\SSM\CONTENT_ARCH\REVISED\SSM\DETAILS\DRAINAGE & SERVICE DUCTS\GIBS500-01 SURFACE WATER DRAINS TRENCH AND BEDDING DETAILS.DWG

NOTES

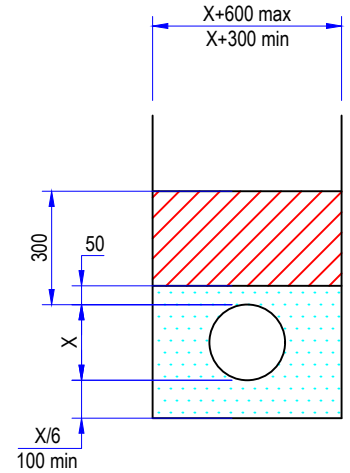
1. All dimensions are in millimetres.
2. Dimension X is the external diameter of the pipe.
3. The minimum or maximum width of the trench applies on and below a line 300mm above the outside top of the pipe. Above the 300mm line the trench backfill material shall be as described in Clause 505 of S.H.W.
4. The concrete bed or surround may extend to the sides of the trench or be of minimum width. Class 8 material is to be used to fill any voids so formed
5. For Type Z trench the concrete cover may be formed to a radius batter or horizontal surface. Min. Cover of concrete shall be 150



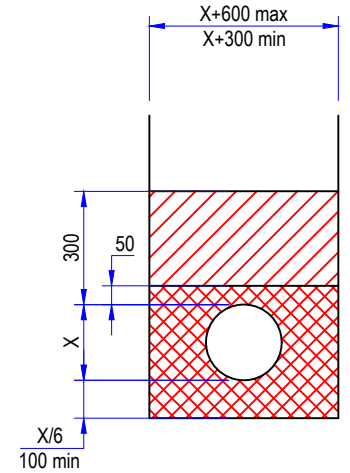
Type Z



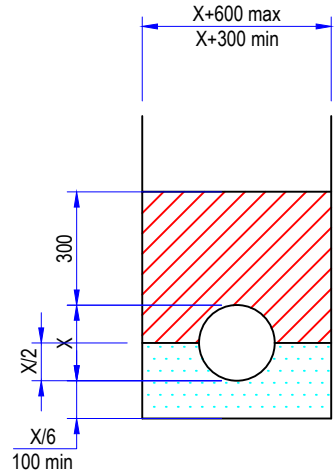
Type A (120°)



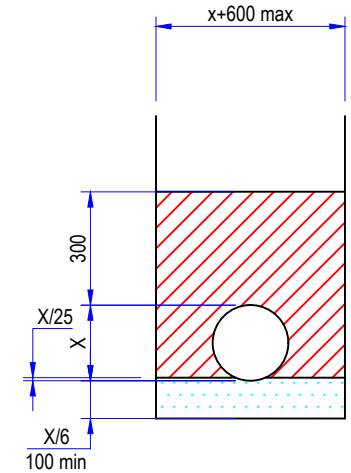
Type S



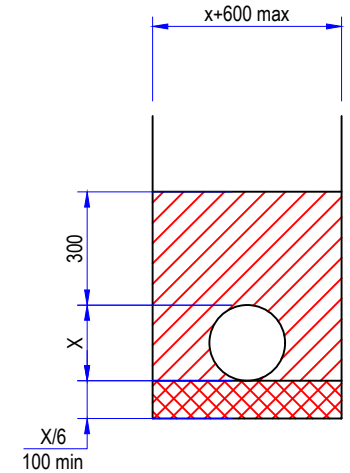
Type T



Type B (180°)

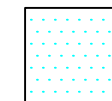


Type F (46°)



Type N

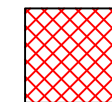
KEY



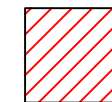
Granular material to S.H.W. Clause 503.3(i).



Concrete to S.H.W. Clause 503.3(iii).



Material to S.H.W. Clause 503.3(ii). e.g. sand



Class 8 material to S.H.W. Clause 503.3(iv).

REV	DATE	REVISION DESCRIPTION / DETAILS	DRN BY	CHKD BY	APRVD BY
-----	------	--------------------------------	--------	---------	----------



PROJECT:
SOUTHWARK STREETSCAPE DESIGN MANUAL STANDARD DETAILS

TITLE:
SURFACE WATER DRAINS TRENCH & BEDDING DETAILS

STATUS:	DRAFT	DRAWN	SR
SCALE:	N.T.S.	DESIGNED	-
DRAWING NO:	LBS/500/01	CHECKED	GL
DATE DRAWN:	JULY 2017	APPROVED	-
		REV	R0
		DATE ISSUED:	19 Feb 2019