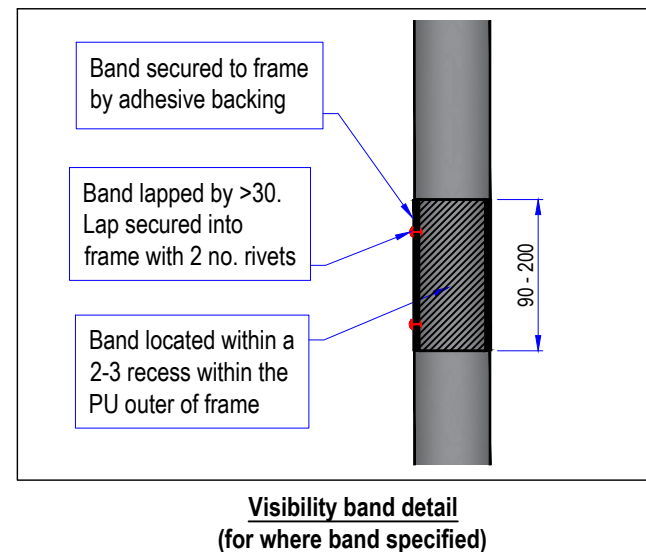
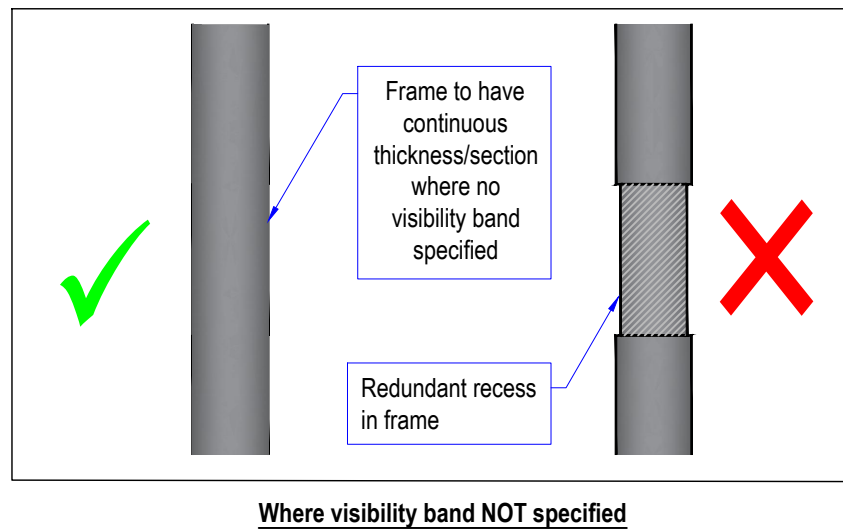
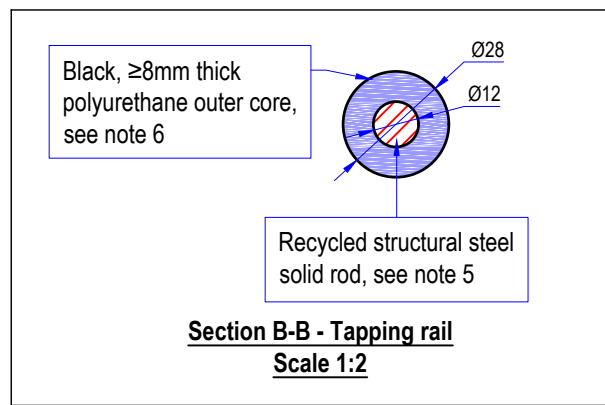
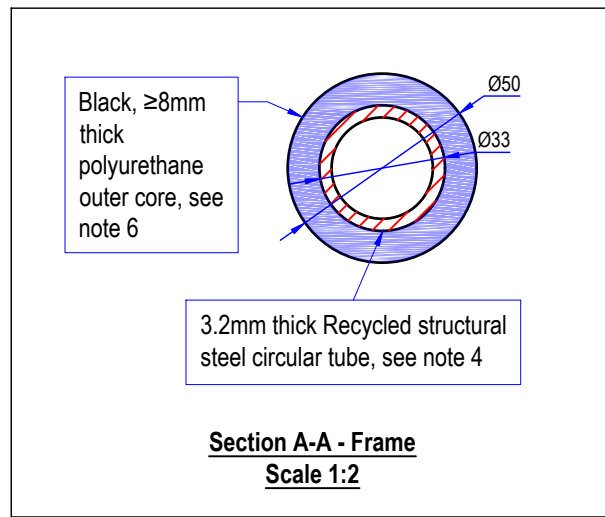
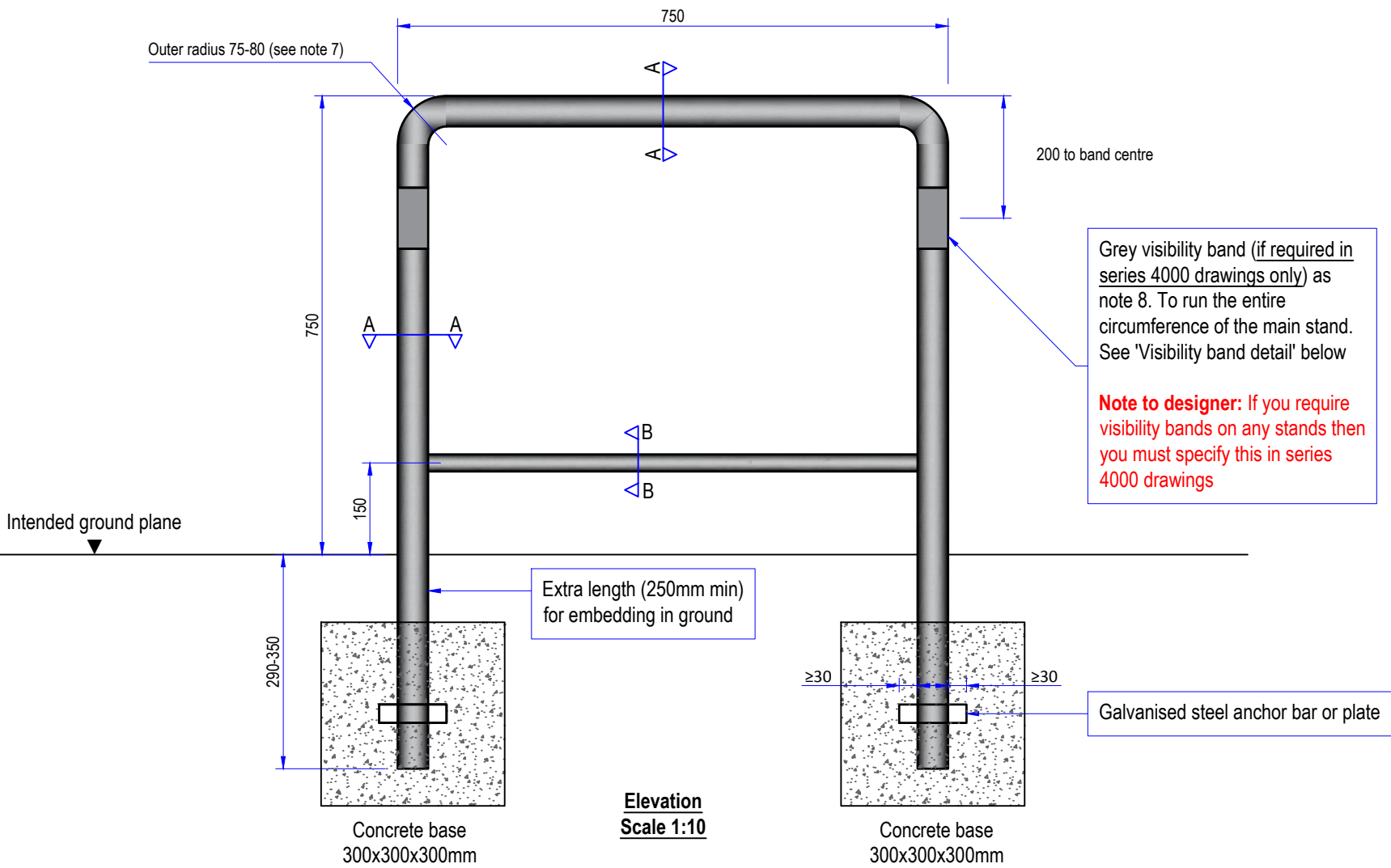


**CYCLE STAND
END UNIT**
TYPE DESIGNATION: CS-1/TR

**COMPOSITE PU/GALVANISED STEEL 'SHEFFIELD' STYLE BIKE STAND
WITH TAPPING RAIL**



- NOTES**
- All dimensions are in millimeters unless otherwise stated.
 - Do not scale from this drawing. Use only written dimensions.
 -
 - All references to Clauses are to Southwark Highway Specification Clauses unless otherwise stated.
 - Recycled structural steel hollow section (circular) tube from EN 10210-S27 steel as BS EN 10210-1:2006 and BS EN 10210-2:2006. Hot dipped galvanised for corrosion protection to BS EN ISO 1461:1999.
 - Recycled structural steel solid rod (round) to BS EN ISO 10025-S275. Hot dipped galvanised for corrosion protection to BS EN ISO 1461:1999.
 - Engineering grade polyurethane (durracast/ferrocast or approved similar) with pigment to RAL 9005 jet black. Finished with primecoat and two pack polyurethane paint in RAL 9005 jet black.
 - Frame section shall remain consistent through radius corner and not exhibit visible pinching/deformation. Welded prefabricated hollow section angles may be used for the radius corners of the frame to avoid this.
 - Visibility bands to be grey, non-fluorescent, retroreflectorised, microprismatic material as BS 8408:2005.
 - Cycle stand foundations to be 300x300x300mm minimum.

REV	DATE	REVISION DESCRIPTION / DETAILS	DRN BY	CHKD BY	APRVD BY



PROJECT:
SOUTHWARK STREETSCAPE DESIGN MANUAL STANDARD DETAILS

TITLE:
CYCLE STAND - END UNIT

STATUS:	DRAFT	DRAWN	OM
		DESIGNED	OM
SCALE:	AS SHOWN @ A3	CHECKED	DR
		APPROVED	DR
DRAWING NO:	LBS/400/03	REV:	-
DATE DRAWN:	JUNE 2017	DATE ISSUED:	19 Feb 2019

SH103WAYS MAINTENANCE/SSOM/CONTENT ARCHIVE/REVISION OF SSOM/TECH DRIVESTD DETAILS/SERIES 400 SAFETY FENCES, BARRIERS AND PEDESTRIAN GUARDRAIL DRAWINGS 400-02-03 CYCLE STANDS DWG