

## RESIDENTS FIRE SAFETY INFORMATION PACK



**210-296  
RYE HILL PARK  
LONDON  
SE15**

## THE CONTENTS OF YOUR PACK

<u>Section</u>	<u>Page</u>
	<u>No.</u>

- |    |     |   |
|----|-----|---|
| 1. | 3.  | <b>Introduction</b><br>Here we will explain the purpose of the Fire Safety Information Pack and why it is important that you read the contents.   |
| 2. | 4.  | <b>Your Escape Routes</b><br>We have provided specific information on how to make your way out of your home and block to a place of safety away from the building.  |
| 3. | 7.  | <b>Your Block &amp; Your Home – Rye Hill Park (210-296)</b><br>We have provided information within this section of the Fire Safety measures that you can find within your block and within your home.                       |
| 4. | 16. | <b>Advice on what to do and what not to do</b><br>No information pack would be complete without a Do's and Don'ts section. We have given some examples of potentially harmful practices that are common in a lot of blocks. |
| 5. | 19. | <b>Contacts</b><br>This last section will give you information on who to call for advice or to report a Fire Safety issue.  |

# RESIDENTS FIRE SAFETY INFORMATION PACK

## Section 1 - The Introduction

This Resident Fire Safety Information Pack contains some extremely valuable information relating to the Fire Safety measures both in your block and within your home. We encourage you to take time to read all the contents.

The purpose of producing this Pack is to provide you with as much information as possible in helping you become more aware of the various Fire Safety measures that exist within your block and within your home. We have also provided information on measures that you can adopt to ensure that yourself, your family and your neighbours are kept safe and secure and are aware of what you need to do in the event of a fire in the building.

We have included information on Fire Safety measures within your home. This includes your detection systems, fire doors and escape routes. We explain what the hazards are within your home and tips on checks you can make to reduce the risk of a fire breaking out.

You will also find information on your block including the equipment and construction materials that exist to ensure that if a fire does break out it is contained in the area where it started. If you need to evacuate the building we have provided detailed instructions of your escape route(s) in both graphic and text formats.

Not everyone takes Fire Safety seriously and we have added examples of hazardous practices that could hamper residents needing to escape and emergency services trying to fight a fire and assist evacuation.

If you require any further information on issues regarding Fire Safety we have included a number of contacts that you can call or email who will help you with any query you may have.

Southwark Council have an in-house Fire Safety Team with a primary role to carry out Fire Risk Assessments (FRAs). These involve visiting buildings and assessing various aspects of Fire Safety, possible sources of fire and checking escape routes. FRAs are required to cover the communal areas in a block and not the inside of each individual property. The Fire Risk Assessment is updated and reviewed as part of a programme of inspection dependant on the overall risk.

The Southwark Fire Safety Team also advise, assist and train Southwark staff, residents and attend evening tenant and residents meetings when required.

The Southwark Fire Safety Team work closely with the London Fire Brigade to ensure compliance is being met across the Southwark stock.

# RESIDENTS FIRE SAFETY INFORMATION PACK

## Section 2 - Your Escape Routes

**This block has been built to protect residents in the event of a fire, so do not automatically assume you must leave your flat. The emergency services will decide whether the building needs to be evacuated. If it does, use your front door & stairs.**

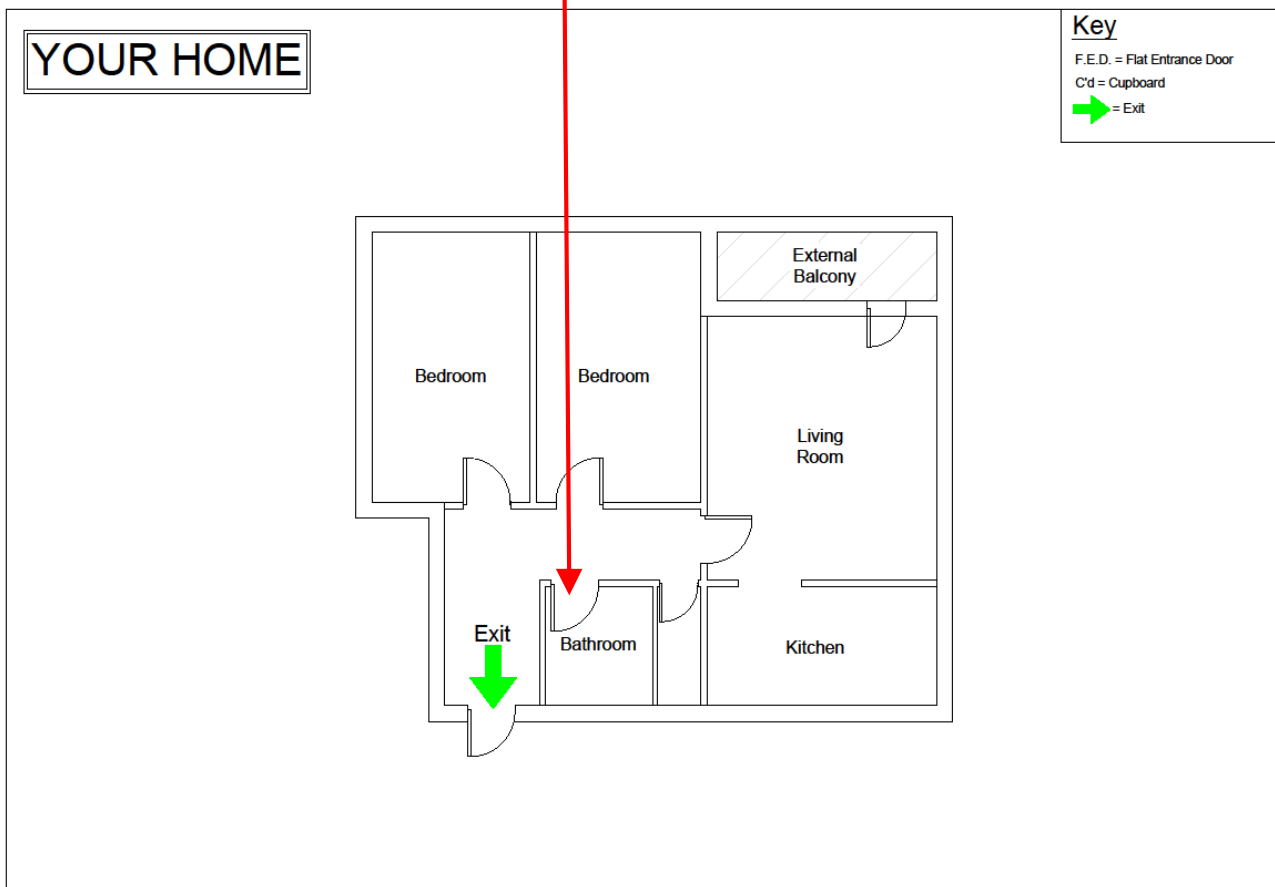
### Basic advice:

- Familiarise yourself with the escape route(s) from your flat before an emergency. For most flats this is using the staircase (**NEVER USE A LIFT**).
- Keep all emergency access routes clear; your life or those of your family and neighbours could be endangered if you do not. Large plants, furniture or other belongings should not be stored on escape routes for this reason.
- If the fire is in your flat:
  - **DO NOT** stay to fight a fire.
  - Evacuate everyone from the flat.
  - Close all doors behind you.
  - Call the Fire Brigade (999) when safely away from the building and when it is safe to do so.
- If you detect a fire in another part of the building:
  - Stay in your flat unless evacuated by the emergency services.
  - Call the Fire Brigade (999).
  - **DO NOT** tackle the fire yourself.
  - Close all doors & windows to restrict the spread of smoke.
  - If you become affected by heat or smoke, leave your flat as described above.
  - **IF IN DOUBT GET OUT!!!**

## Your Escape Routes

If, and only if, fire and smoke is affecting you or your home, you should evacuate the premises immediately. Make your way to the stairwell as soon as possible, exit the building and remain a safe distance from the fire/building. Never attempt to use the lift if you are aware that there is a fire in the building.

Your home has been designed with one means of escape. You should leave by your front door in the event of a fire occurring, as pictured below.



The plan above is a typical flat layout; however, your flat layout may vary slightly. If so, ensure you identify the various exits using the photos and plan and exit via your front door or the alternative means of escape doors.

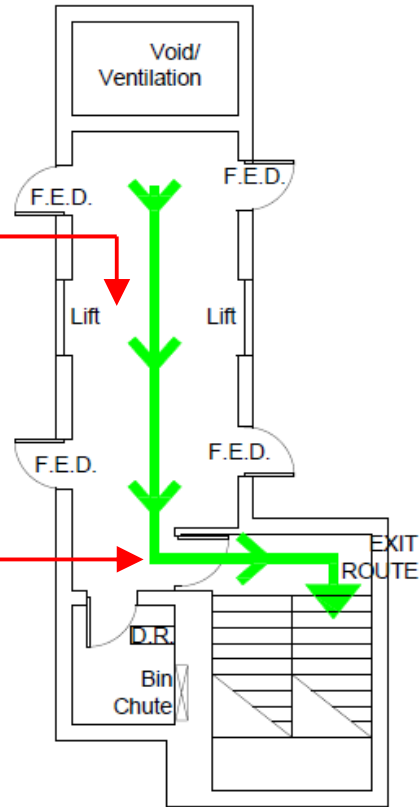
## ESCAPE ROUTES FROM FLAT ENTRANCE DOORS

Once you have evacuated your flat and ensured that the door is latched shut behind you, you will find yourself in the lift lobby with access to the stairwell through the fire doors as indicated below.

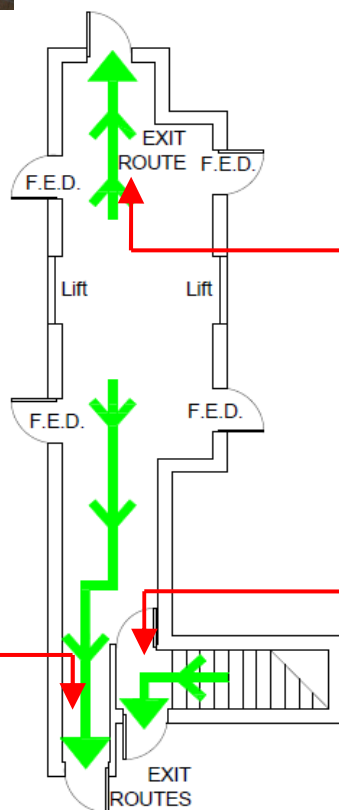
Follow the stairwell to the ground floor. Once on the Ground Floor, move through the exit door at the foot of the staircase and to a place of safety. If your flat is located at ground floor level, evacuate the building via either of the two main entrance doors as indicated on the plans below.

**These escape routes are vitally important to your safety. They should be kept clear at all times and not obstructed.**

### Floors 1 - 10



### Ground Floor



# RESIDENTS FIRE SAFETY INFORMATION PACK

## Section 3 - Your Block and Your Home

### Your Home

Your home was designed as a fire compartment. This means that all four walls, the ceiling and floor were constructed to provide at least 60 minutes protection from fire and smoke. Unless a fire starts in your home it should remain unaffected by smoke or fire for at least 60 minutes during which time the emergency services will either deal with the fire or instruct you to leave your home. If a fire starts within your home it should be contained there for the same length of time. **You however should evacuate immediately.** Some of the Fire Safety Measures in your home are detailed below.

<b>Detection/Warning</b>	<p>Mains powered automatic smoke detectors with battery back up are installed within your home. In kitchens a heat detector rather than a smoke detector is installed. Heat detectors are installed in kitchens to reduce the number of 'false alarms' caused by frying, grilling or toasting food.</p> <p>Detectors are generally interlinked so that if one detector is triggered, the alarm sounds in each and every alarm location. <b>Remember to test your alarm on a weekly basis.</b></p>
--------------------------	---

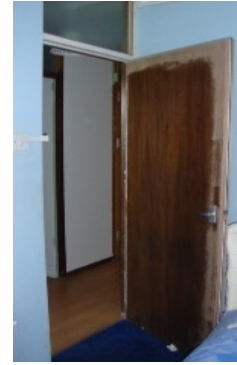


<b>Flat Entrance Door</b>	<p>Your Flat Entrance Door (FED) is a fire door. It is self-closing and has strips and seals that will prevent smoke and flames from entering the protected escape route if your flat is on fire. It will also prevent smoke and flames from entering your flat from the Protected Escape Route. <b>It is therefore vitally important that if you have to leave your flat as a result of a fire that you ensure the door latches shut behind you.</b></p> <p><b>In addition DO NOT make alterations to your door such as fitting extra locks and cat flaps, as this will compromise your safety.</b></p>
---------------------------	--



## Internal Doors

Some of the internal doors to rooms in your home may also have some fire resistance. The doors have a solid core and can be recognised by smoke seals in the edges of the door that will expand in a fire and seal the door into the frame. An example of these seals can be seen below. It is recommended that when you leave your home for any length of time and when going to bed for the night that you ensure these doors are latched closed. **In addition DO NOT make alterations to your door such as fitting extra locks and cat flaps, as this will compromise your safety.**





# RESIDENTS FIRE SAFETY INFORMATION PACK

## Your Block

Your block contains many safety measures introduced both when the block was built and also in the years after to the present day. This section explains these measures and the role they play in protecting residents from the effects of fire and smoke.

<b>Emergency Lighting</b>	<p>These are lights that are provided in the protected escape routes. In the event of the electricity failing they will stay lit and guide you along the escape route and out of the building. Generally there are two types of emergency lighting. Some will not normally be lit but will have a small green or red light that indicates they are working. If the electricity fails they will illuminate. The other type remains lit and are on a protected circuit so even if the electricity is cut they will remain lit.</p>
---------------------------	--



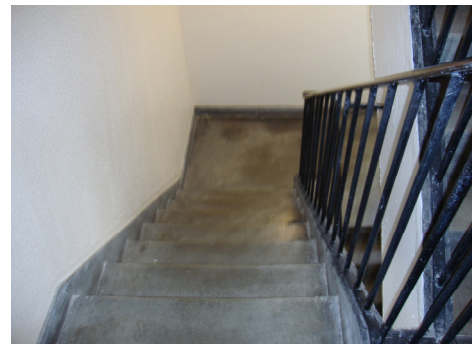
<b>Dry Risers</b>	<p>A Dry Riser is used by the Fire Brigade to get water to the floors of high rise blocks. On the ground floor there is a Dry Riser Inlet that the Fire Brigade connect their hoses to and water is pumped up the vertical pipe to each floor. The fire-fighters connect up to the outlet to fight the fire on each floor. Dry Risers Inlets must have fire engine access within 18 metres of the dry riser inlet so this area <b>must</b> be kept clear at all times.</p>
-------------------	--



## Protected Escape Routes

The protected escape routes are designed to enable residents from every part of the building to reach the outside without passing through a higher fire risk area. These routes are protected by materials that will provide a minimum of 60 minutes protection from fire and smoke and will enable residents and visitors to reach a place of safety should a fire occur in the block. All walls, floors and ceilings protect the route and generally the only break is doors and even these also protect the route as they are fire doors.

It is vitally important that the protected routes be **kept clear** of obstructions and combustible materials so that residents evacuating the building do not trip over bags of rubbish or discarded furniture. In addition, it would be extremely hazardous if any of these items caught fire in the protected escape route making it unusable.



## Fire Doors

There is more to a fire door than meets the eye. A fire door is a complete installed door assembly comprising of a doorframe, door leaves, other panels, hardware, seals and any glazing that when closed is intended to resist the passage of fire and smoke. In the closed position, they protect the escape route which enables residents to evacuate.

You will find fire doors on flat entrance doors, across corridors and stairs on the escape route and on electrical cupboards. They are there to protect your means of escape and should **NEVER** be wedged/propped open. No fire door should be locked or fastened in such a way that means a key is required to make an escape.



## Fire Hydrants

Fire Hydrants are found in the ground near your block. They are sometimes painted yellow but also are marked with 'FH' or 'Fire Hydrant'. Near to the hydrant on the wall there is a yellow 'H' plate. The plate indicates the size of the pipe and the distance the hydrant is away from the plate. In the example opposite it can be seen that the hydrant has a 500mm pipe and is 1 metre away from the H plate. They are used by the Fire Brigade to provide a supply of water from the mains to be fed into the Dry Riser Inlet. They are located in public footways or highways.

**Obstructing a hydrant is an offence** and can carry a fine if convicted. Please remember to park considerately and away from any adjacent hydrants. Hydrant defects relating to leakage or safety must be reported to the local water company (as they are the owners). Any other defects or queries can be reported to the London Fire Brigade's water team.



## Fireman's Lift Control

If a fire breaks out in your block and the Fire Brigade are called it is likely that the electricity to the block will be switched off when they arrive. This means that the lift will not be operational. It is imperative that residents do not use the lift when they are aware of a fire as they may become trapped in the lift. The Fire Brigade however can control the lift for their own fire fighting purposes by using the control switch that you will find adjacent to the lift doors. **REMEMBER – NEVER USE THE LIFT IF YOU ARE AWARE OF A FIRE.**



## Fire Exit Signs & Fire Action Notices

Fire Exit Signs are designed to identify the means of escape in the event of a fire. These have been strategically positioned throughout the common areas of your block to identify the direction of travel in the event of a fire.

Fire Action Notices are designed to inform the occupants of the block what to do in the event of a fire. These have been strategically positioned throughout the common areas of the block.



## ACCESS FOR EMERGENCY SERVICES

The Dry Riser Inlet to your block can be found indicated by the arrow in the picture opposite. Do not obstruct/park within 18 metres of the Dry Riser Inlet or over the Fire Hydrant below right.

## **FIRE ACTION NOTICES**

The following is a breakdown of the guidance given in the Fire Action Notices and an explanation of what the advice means.

### **If you discover a FIRE anywhere in the building:**

Discovery of a fire can be by:

- sight - seeing fire or smoke
- hearing - sound of burning, sound of alarm, people shouting FIRE

Anywhere in the building can be:

- your own home or other homes in your block
- communal area cupboards and rooms
- staircase, corridors, etc
- basement or roof
- refuse system – waste chutes and bin chambers
- areas around (or close to) the external areas of the building

### **1. Raise the alarm by shouting “FIRE FIRE”**

Attempt to alert others by shouting but don't expose yourself to danger by trying to make physical contact with neighbours.

### **2. If you are not in your own home or someone else's home in the building, evacuate the building immediately if it is safe to do so**

- Attempt to leave the building by the most direct route that does not expose you to smoke or flames. REMEMBER – KNOW YOUR ESCAPE ROUTES (See pages 5 and 6).
- Exit the building and move to a safe distance away. If your route out of the building is blocked by smoke or fire, move away from the fire and seek refuge in a protected area as far away from the fire as possible. A protected area is a place that is free of fire and has at least one substantial wall and door between yourself and the fire. Avoid placing yourself in a confined space.

### **3. Telephone the Fire Brigade on 999**

- Phone the Fire Brigade (999), keep calm and follow the operator's instructions. Further advice on calling the Fire Brigade is available at [www.fireservice.co.uk/safety/dialling999](http://www.fireservice.co.uk/safety/dialling999)
- Remember! 999 emergency calls to the Fire Brigade are free of charge and can be made on a mobile phone that does not have any credit.

## **RESIDENTS - If the fire is inside your home:**

### **If you are at home and discover a fire in your home**

#### **1. Evacuate the building closing your Front Door behind you**

- If the fire is behind a closed door do not attempt to open the door and do not attempt to tackle the fire.
- If the door of the room in which there is a fire is open, then close the door if it is safe to do so.
- Alert anyone else inside your home and leave by the nearest exit door of your home (that leads to a route out of the building) closing it shut behind you. REMEMBER – KNOW YOUR ESCAPE ROUTES.
- Leave the building by the most direct route.

#### **2. Remain a safe distance from the building and await the Fire Brigade**

- A safe distance from the building is a place where you will not be affected by smoke, flames or debris from a developing fire or where you may obstruct the passage of other evacuees or fire fighters.
- When the Fire Brigade arrives, identify yourself as a resident and cooperate with their instructions.

## **RESIDENTS - If the fire is NOT in your home:**

If the fire is in any other part of the building or grounds

#### **1. 'STAY PUT' in your home unless you are directly affected by smoke or fire**

Remain in your home unless the internal parts of your home are experiencing smoke or fire. Your home is designed to be a 'fire resistant' box that should offer you resistance against fire or smoke for a reasonable time during which the Fire Brigade will arrive and rescue you if necessary. If lots of people try to evacuate the building at the same time (if not under the control of the Fire Brigade) it may cause panic or injury and affect fire fighting or rescue operations.

#### **2. If you are directly affected by smoke or fire - evacuate the building closing your Front Door behind you**

- Alert any other people you live with and leave by the nearest exit door of your home (that leads to a route out of the building) closing it shut behind you. REMEMBER – KNOW YOUR ESCAPE ROUTES.
- Leave the building by the most direct route.

#### **3. Remain a safe distance from the building and await the Fire Brigade**

- A safe distance from the building is a place where you will not be affected by smoke, flames or debris that may emanate from a developing fire or where you may obstruct the passage of other evacuees or fire fighters.

- When the Fire Brigade arrives, identify yourself as a resident and cooperate with their instructions.

### **If you do evacuate the building**

#### **DO NOT use the lifts**

The lifts are not fire proof and may leave you trapped in the lift if the fire causes a power failure.

#### **DO NOT stop to collect personal belongings**

Collecting personal belongings will delay your evacuation and carrying belongings may hinder your own and other evacuees escape.

#### **DO NOT re-enter the building until authorised to do so**

During a fire fighting and rescue operation the Fire Brigade will take charge of the building. They will inform all evacuees if and when it is safe to re-enter the building. If you re-enter the building before you are authorised by the Fire Brigade you may put yourself in danger and obstruct fire and rescue operations.

# RESIDENTS FIRE SAFETY INFORMATION PACK

## Section 4 – Advice on what to do and what to avoid

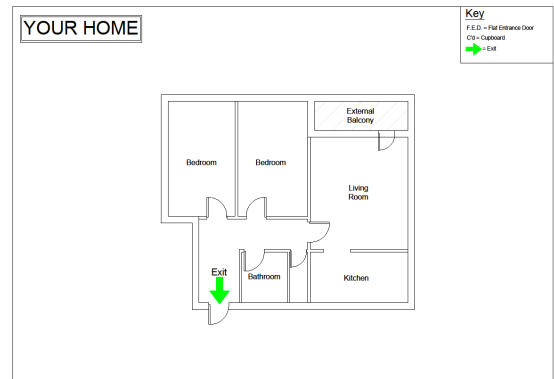
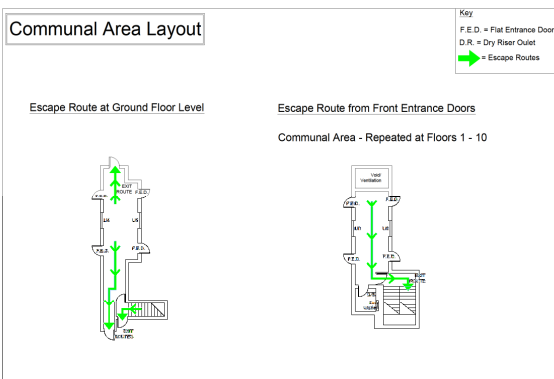
### General Advice for Fire Prevention:

- Ensure a smoke alarm is fitted within the room/lobby (and landing where appropriate) opening onto the escape route.
- Avoid Calor gas, paraffin or electric bar fires wherever possible. Instead use plug-in radiators with safety electric plugs.
- Do not block access points in your flat or the communal areas of your block.
- Do not use rooms for storage or as workshops.
- Do not smoke in the communal areas or escape routes.
- Do not overload electrical sockets, do not cover heating appliances or leave lit candles or heaters close to curtains or furniture.
- Ensure electrical equipment is regularly inspected & serviced.
- Common ignition sources which should not be used include; naked flames, sparks, portable heaters, smoking materials, paper, combustible fabrics, plastics, thinners, chemicals, flammable gases.

The following are some valuable Do's and Don'ts relating to Fire Safety measures in your block and within your home.

### ESCAPE ROUTES...

- DO familiarise yourself with the escape routes from your home and the communal areas (including any alternative escape routes).





- **DO NOT block the escape routes. These must be kept clear at all times**



X



X



✓

- **DO NOT wedge/prop open any fire doors**



X



X

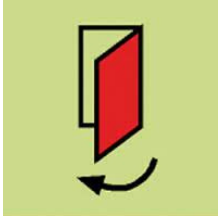


✓

## IN THE EVENT OF A FIRE...



**DO** raise the alarm by shouting 'FIRE' and leave the building.



**DO** close the fire doors including your flat if you evacuate.



**DO NOT** use the lifts if you are aware of a fire.



**DO** use the stairs to leave the building.

**GET OUT  
STAY OUT  
AND CALL  
999**

**DO** call 999 but only when you are safely out of the building.



**DO NOT** smoke in the common areas of the building or the escape routes.

Some of this information has been produced by the London Fire Brigade. For further information on Fire Safety, please refer to their website. [www.london-fire.gov.uk/FireSafety.asp](http://www.london-fire.gov.uk/FireSafety.asp)

## RESIDENTS FIRE SAFETY INFORMATION PACK

### Section 5 - Contacts

If you have any queries or concerns relating to Fire Safety help is available from a number of sources. Equally, if you see something within your block that you feel compromises your safety please let us know.

London Borough of Southwark

Fire Safety Team                      Tele: 0207 525 7565   Email: [FRA@southwark.gov.uk](mailto:FRA@southwark.gov.uk).

London Fire Brigade                    Tele: 0208 555 1200   Email: [info@london-fire.gov.uk](mailto:info@london-fire.gov.uk)

For further information on the London Fire Brigade and General Fire Safety, please refer to the London Fire Brigade's website. (<http://www.london-fire.gov.uk/FireSafety.asp>)

If you would like to request and review the Fire Risk Assessment for your block, please refer to the following website:

([http://www.southwark.gov.uk/downloads/download/2403/register\\_of\\_fire\\_risk\\_assessments](http://www.southwark.gov.uk/downloads/download/2403/register_of_fire_risk_assessments))